



HBR12

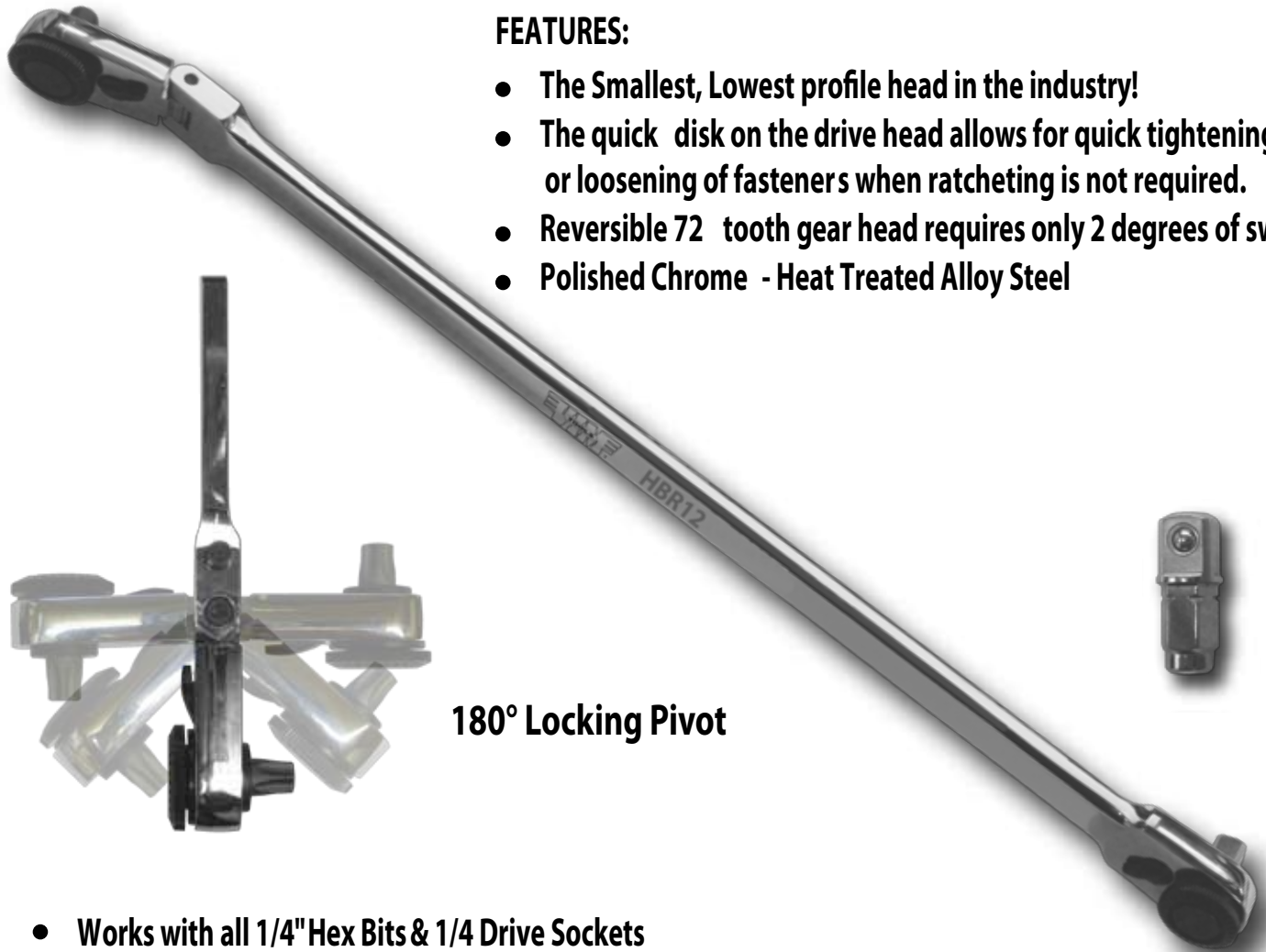
FLEX HEAD WRENCH

12" Long 1/4" Hex Bit Ratchet Wrench

With Removable 1/4" Sq. Dr. Adapter

FEATURES:

- The Smallest, Lowest profile head in the industry!
- The quick disk on the drive head allows for quick tightening or loosening of fasteners when ratcheting is not required.
- Reversible 72 tooth gear head requires only 2 degrees of sweep
- Polished Chrome - Heat Treated Alloy Steel



180° Locking Pivot

- Works with all 1/4" Hex Bits & 1/4 Drive Sockets
- One end fixed, the other end pivots between 180°
- Includes 1/4" Square Drive Insert
- Limited Lifetime warranty
- Patented Worldwide

Made In Taiwan Exclusively For Vim Tools

Durston Manufacturing Company

1395 E. Palomares Ave. La Verne, CA 91750 USA

800.728.4942 Fax 909.593.0302

www.vimtools.com E-Mail Sales@vimtools.com

