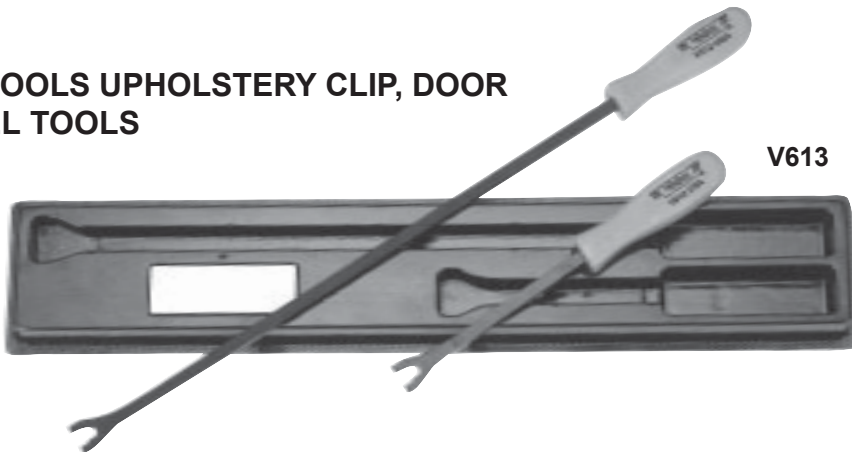


UPHOLSTERY TOOLS



VIM TOOLS UPHOLSTERY CLIP, DOOR PANEL TOOLS



V613

These new upholstery tools feature a special tapered blade and flat prying surface. The extra long length is required for many of today's vehicles that have upholstery clips in the middle of door panels. Heat treated, black oxide finish, Neon Orange handles make them easier to see and harder to leave behind.



V610

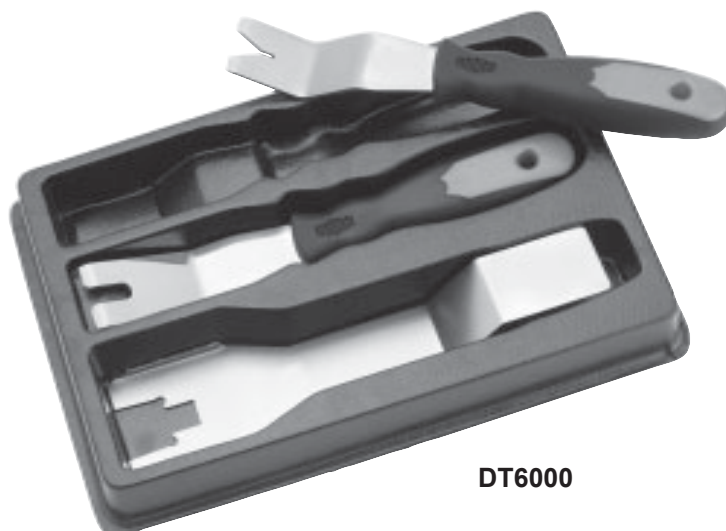


V612

ITEM	DESCRIPTION	LBS.
V610	10" Long Door Panel Tool	.305 Pkgd.
V612	18" Long Door Panel Tool	.618 Pkgd.
V613 Set	Includes V610 & V612 in black tray	1.082 Pkgd.

UPHOLSTERY TOOL SET

This new 3 pc. set features a new state of the art design, V614 & V615 door panel tools will handle all styles of clips. The DT20 window and door handle clip removal tool is designed so that the handle end can also be used as an upholstery tucking tool. Features stainless steel heat treated blades with a high polished finish, and ergonomic two component handles in a bright orange that will be harder to leave behind.



DT6000

ITEM	DESCRIPTION	LBS.
V614	Door Panel Tool "V" notch	.305 Pkgd.
V615	Door Panel Tool "U" notch	.318 Pkgd.
DT20	Window & Door Handle Tool	.180 Pkgd.
DT6000 Set	Includes V614, V615 & DT20 in black tray	1.042 Pkgd.